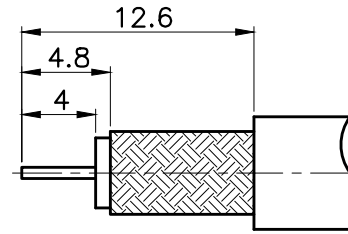


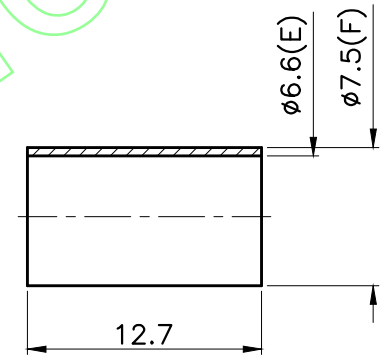
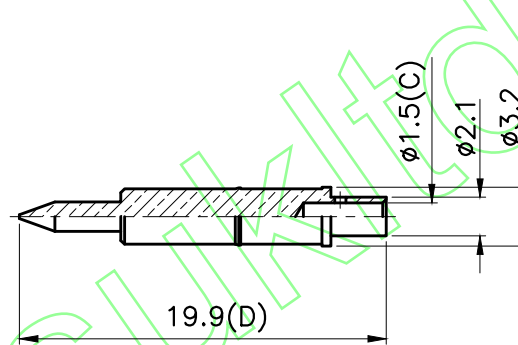
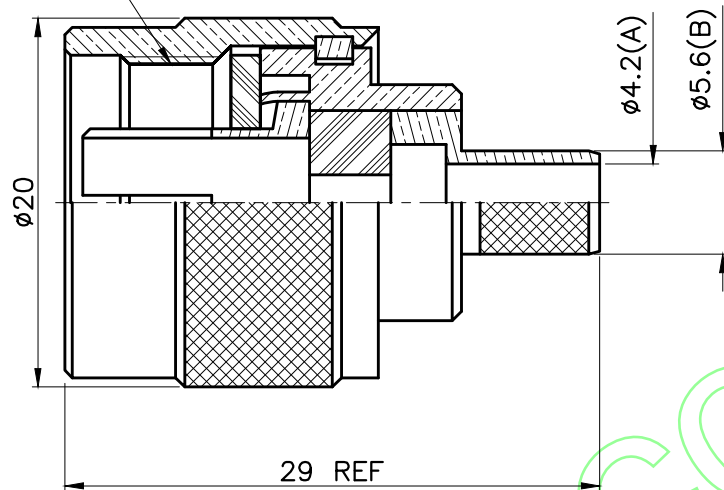
REVISIONS		
ISS	DESCRIPTION	DATE

RoHS COMPLIANT



RECOMMENDED
CABLE STRIPPING DIM'S

5/8-24UNEF-2B



1. CRIMPED FERRULE
HEX CRIMP SIZE .256"
2. CRIMPED CONTACT PIN
HEX CRIMP SIZE .068"

CONNECTORS CABLES



SPECIALISTS LTD.

APRD:	UNLESS OTHERWISE SPECIFIED TOLERANCES 0.5-6 = ±0.2 >6-30 = ±0.4 >30-120 = ±0.6 >120-315 = ±1 >315-1000 = ±1.6 ANGLES = ±5°
CHKD:	
DR:	
DATE: 10/03/19"	UNIT: mm
	SCALE: 2.5/1

FERRULE	BRASS	NICKEL
CONTACT PIN	BRASS	GOLD
SHELL	BRASS	NICKEL
C RING	BRASS	NONE
GASKET	RUBBER	RED
BODY	BRASS	NICKEL
BODY	BRASS	NICKEL
INSULATOR	TEFLON	WHITE
BODY	BRASS	NICKEL
NO.	DESCRIPTION	MATERIAL
		FINISH

TITLE: N MALE CRIMP
(FOR LMR240)

PART NO: NPCR240

029

DATE: 10/03/19"

DRAWING NO:

SCALE: 2.5/1